

## Safety instructions

Important! Before commencing installation work disconnect the main cable from the power supply - remove fuse or turn switch to "OFF"!

1. Installation should be carried out in accordance with the local safety regulations.
2. In order to prevent damage, please check walls for cables before drilling holes.
3. Please ensure that all electrical connections (even preassembled lamps) are screwed tightly or are fully inserted as good contact is essential for a long life-span at high currents. Please check for tight connections after changing or adjusting lamps. Screwed connections must be tightened after 20 minutes.
4. Please do not place objects on your system (e.g. for decorative purposes) if they were not delivered with the system.
5. The lamps get very hot when in use. Please allow lamps to cool down before touching.
6. Do not change lightsource when switched on.
7. System should not be enlarged with additional lamps.
8. Use of a dimmer is highly recommended. Dimmer must be compatible with type of bulb.
9. Notice that for brass versions, color fade when exposed to direct sunlight. Therefore it is not recommended to mount the lamp under a rooftop window etc.
10. If the external flexible cable or cord of this luminaire is damaged, it shall be exclusively replaced by the manufacturer or his service agent or a similar qualified person in order to avoid a hazard.
11. We reserve the right to make technical alterations.

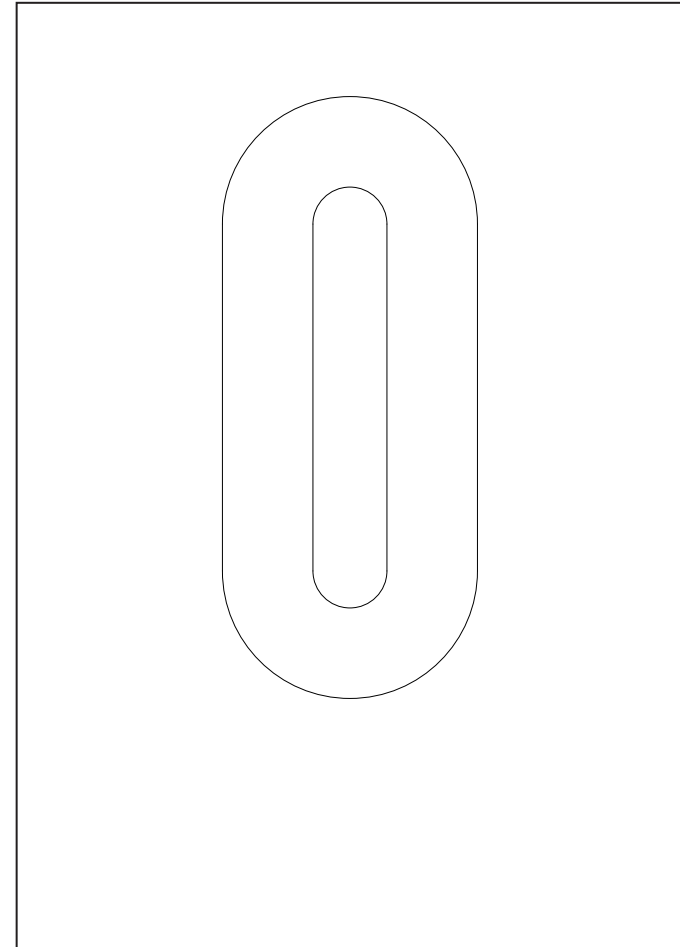
Please keep these instructions.

Fitting: Integrated LED

2023-02-21 EU

# Sasi Large

## Assembly Instructions



NUURA

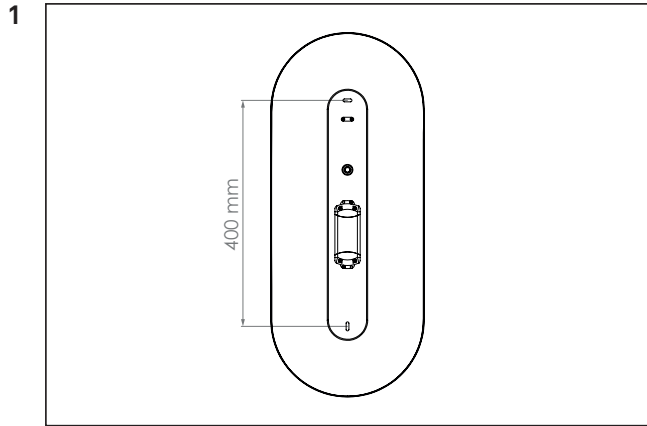
www.nuura.com  
info@nuura.com

© 2022 All rights reserved

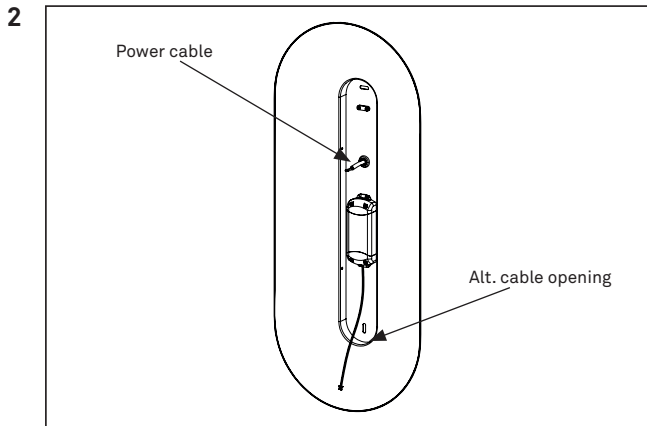


NUURA

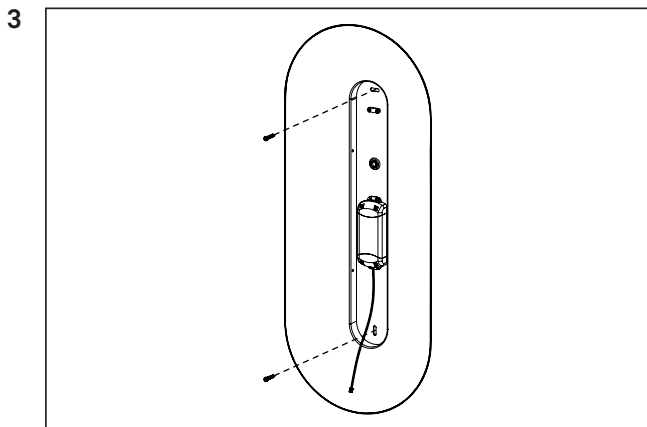
© 2022 All rights reserved



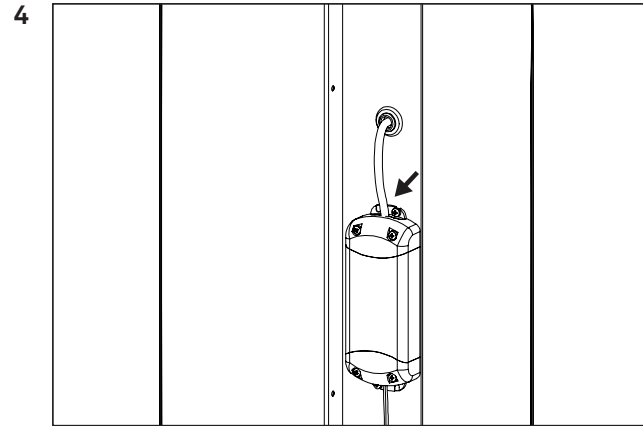
Mounting hole dimensions.



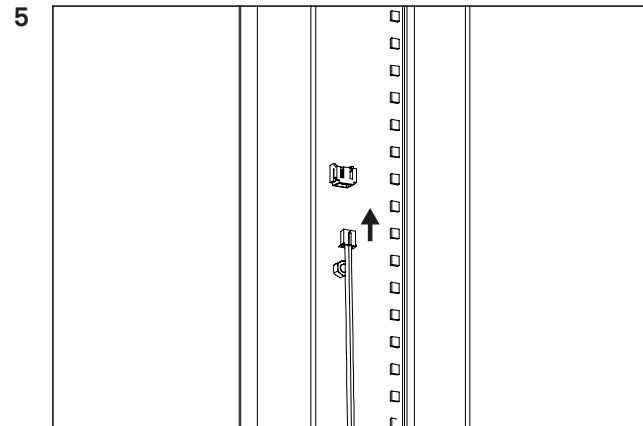
Push power cable through rubber plug. Place lamp base flush to the mounting surface.  
Note: If surface mounted cable is desired use alternative cable opening in bottom and strain relief.



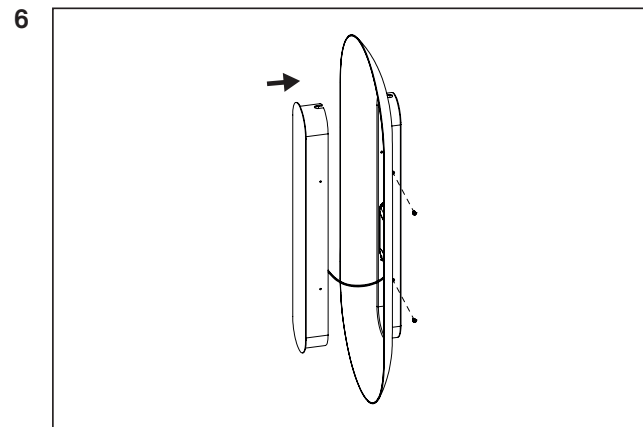
Mount the lamp to the wall or ceiling with screws.  
Make sure to use appropriate rawlplugs/anchors for your construction.  
Please make sure the base is fixated properly.



Remove the lid from driver on the power in side. Connect the power cable to the terminals.  
Match the brown wire with "L" the blue wire with "N".  
Reattach the lid to the driver.



Connect the plug from the driver to the connector on the LED-module.



Attach the diffuser and LED-module to the lamp by placing it into the shade and tightening the 4 screws on the sides of the lamp.